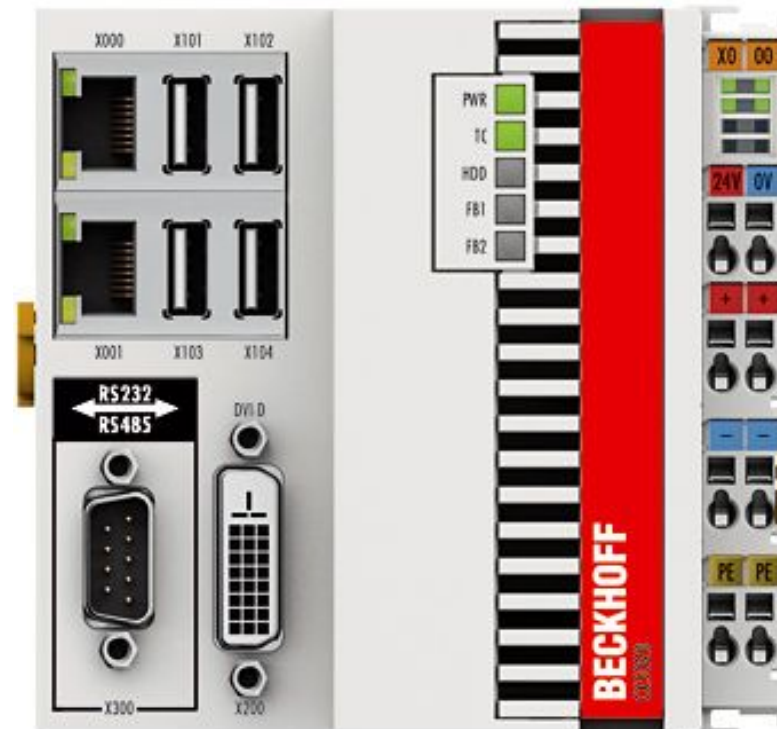


# Beckhoff PLC Interfaces

Alex Wallace 2016-9-21  
awallace@slac.stanford.edu

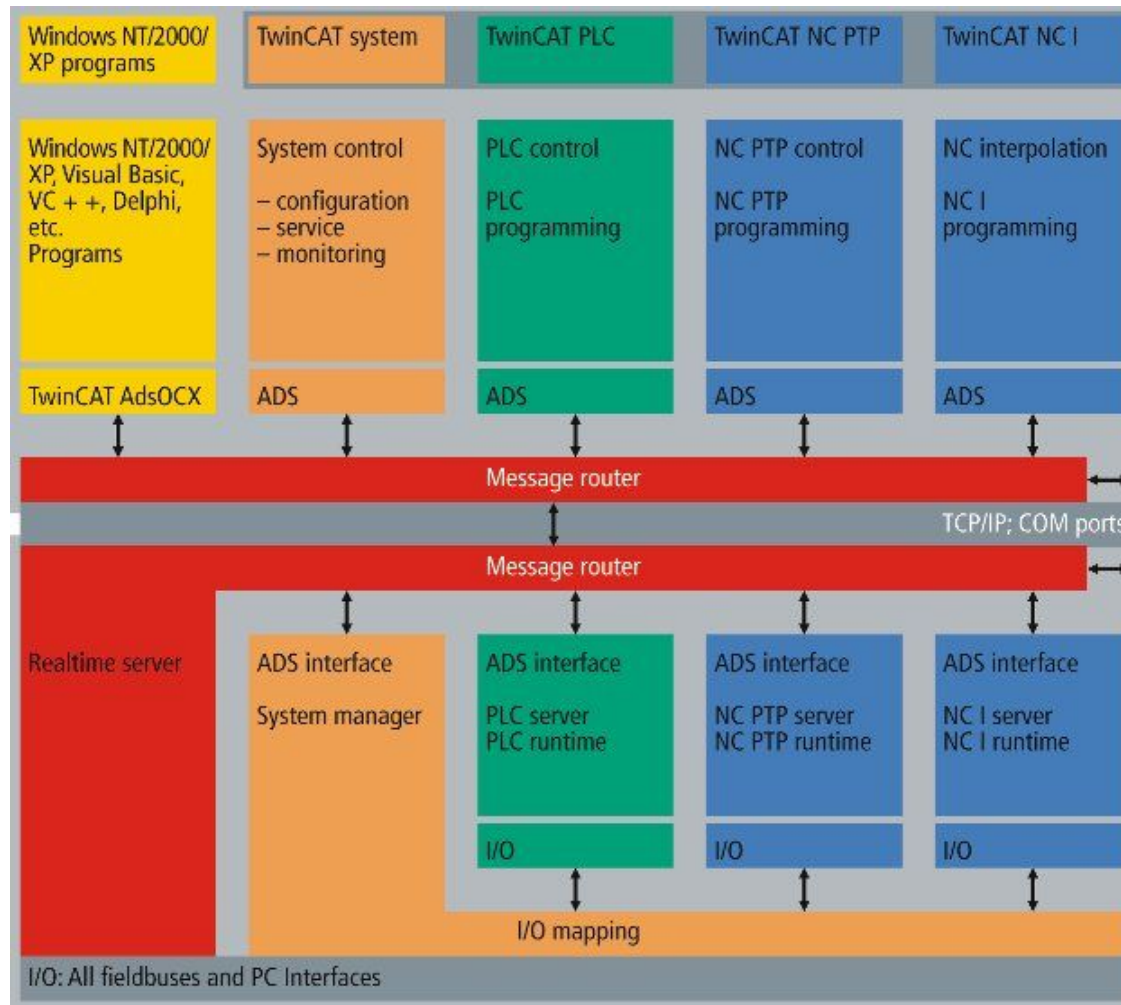
# Beckhoff PLCs

- Vacuum and machine protection systems
- Currently using Modbus



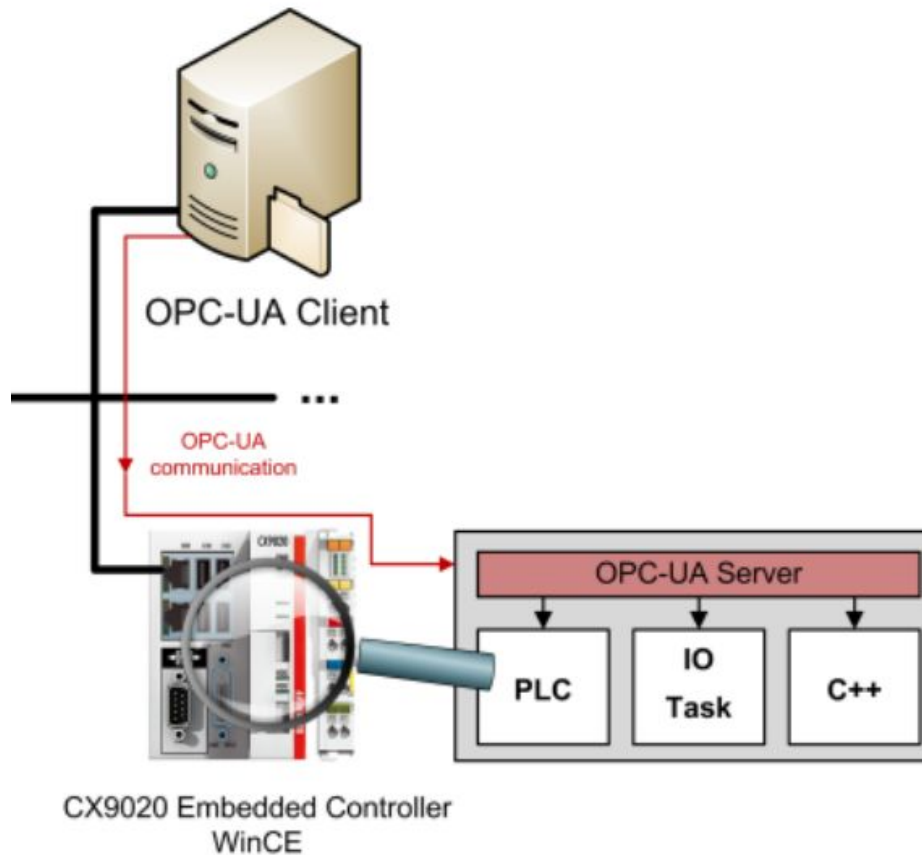
# Interface choices

- Write ADS (Beckhoff interface) driver



# Interface choices

- OPC UA
  - Beckhoff provides an OPC UA server



## TwinCAT 3 (with TMC import):

```
PROGRAM MAIN
VAR
{attribute 'OPC.UA.DA' := '1'}
fbTest1 : FB_BLOCK1;
fbTest2 : FB_BLOCK1;
END_VAR
```

```
FUNCTION_BLOCK FB_BLOCK1
VAR_INPUT
{attribute 'OPC.UA.DA' := '1'}
ni1 : INT;
ni2 : INT;
END_VAR
VAR_OUTPUT
{attribute 'OPC.UA.DA' := '1'}
no1 : INT;
no2 : INT;
END_VAR
VAR
{attribute 'OPC.UA.DA' := '1'}
nx1 : INT;
nx2 : INT;
END_VAR
```

# EPICS and OPC UA

