

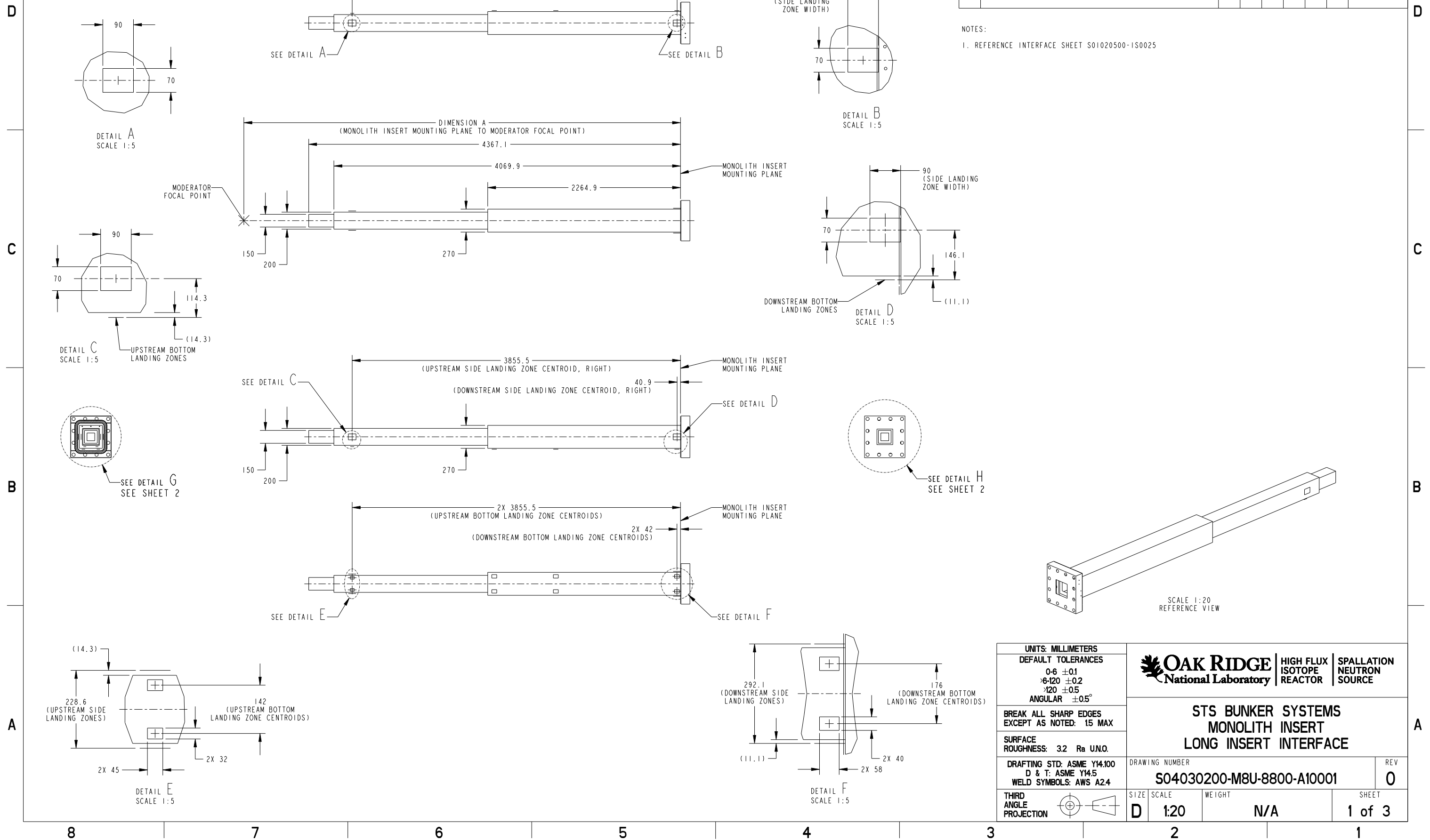
TABULATED DIMENSIONS	
BEAMLINE	DIMENSION A
ST01 & ST18	5127.5
ST05 & ST14	5149.5
ST09 & ST10	5149.5

NEXT USED ASSEMBLY  
---

NO REPRESENTATION OR WARRANTY, EXPRESSED OR IMPLIED, IS MADE AS TO THE ACCURACY, COMPLETENESS OR USEFULNESS OF THE INFORMATION OR STATEMENTS CONTAINED IN THESE DRAWINGS. OR THAT THE DISCLOSURE OF ANY INFORMATION, APPARATUS, METHOD OR PROCESS DISCLOSED IN THESE DRAWINGS MAY NOT INFRINGE PRIVATE RIGHTS OF OTHERS. NO LIABILITY IS ASSUMED WITH RESPECT TO THE USE OF, OR FOR DAMAGES RESULTING FROM THE USE OF, ANY INFORMATION, APPARATUS, METHOD OR PROCESS DISCLOSED IN THESE DRAWINGS. DRAWINGS MADE AVAILABLE FOR INFORMATION TO BIDDER ARE NOT TO BE USED FOR OTHER PURPOSES AND ARE TO BE RETURNED UPON REQUEST OF THE FORWARDING CONTRACTOR.  
THIS DRAWING IS THE PROPERTY OF OAK RIDGE NATIONAL LABORATORY.

APPROVAL BLOCK								
REV	DESCRIPTION OF CHANGE	DES	CHK	ENG	API	AP2	AP3	DATE
0	ORIGINAL ISSUE							

NOTES:  
1. REFERENCE INTERFACE SHEET S01020500-1S0025



UNITS: MILLIMETERS
DEFAULT TOLERANCES
0-6 ±0.1
>6-120 ±0.2
>120 ±0.5
ANGULAR ±0.5°
BREAK ALL SHARP EDGES EXCEPT AS NOTED: 15 MAX
SURFACE ROUGHNESS: 3.2 Ra U.N.O.
DRAFTING STD: ASME Y14.100
D & T: ASME Y14.5
WELD SYMBOLS: AWS A2.4
THIRD ANGLE PROJECTION

**OAK RIDGE** | HIGH FLUX ISOTOPE REACTOR | SPALLATION NEUTRON SOURCE  
**National Laboratory**

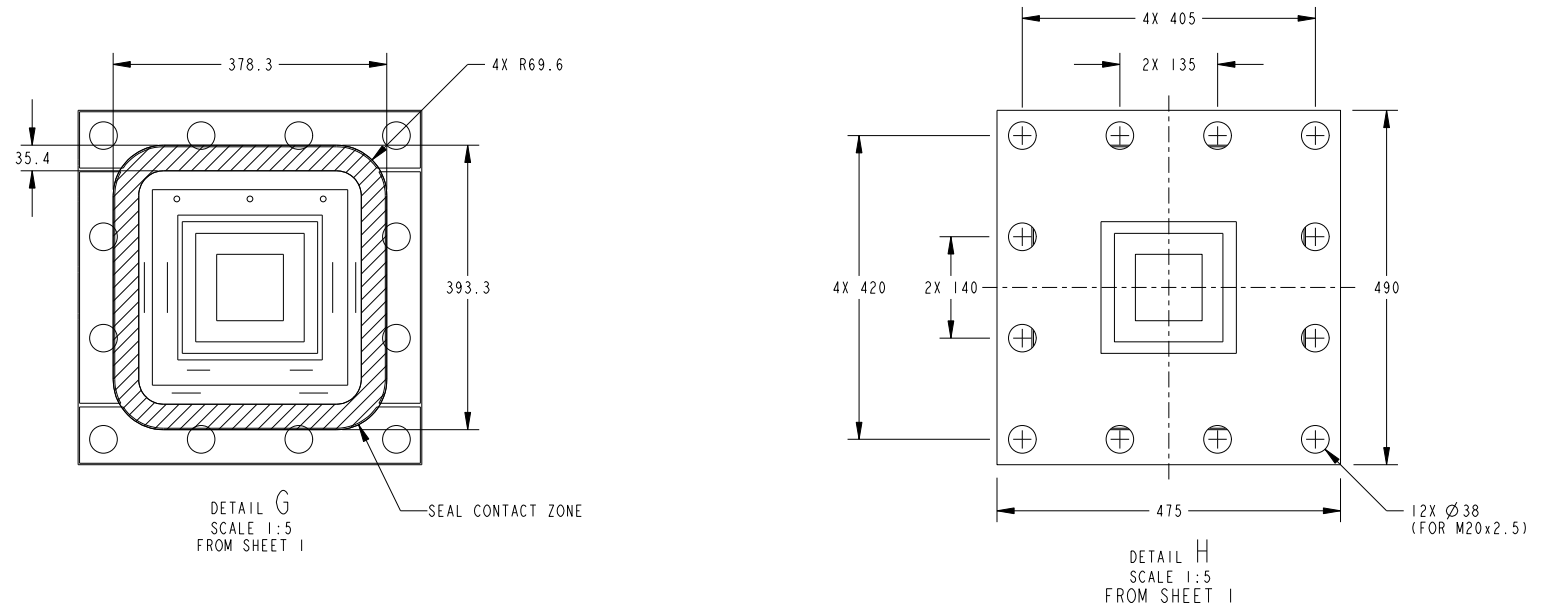
**STS BUNKER SYSTEMS  
MONOLITH INSERT  
LONG INSERT INTERFACE**

DRAWING NUMBER: **S04030200-M8U-8800-A10001** REV: **0**

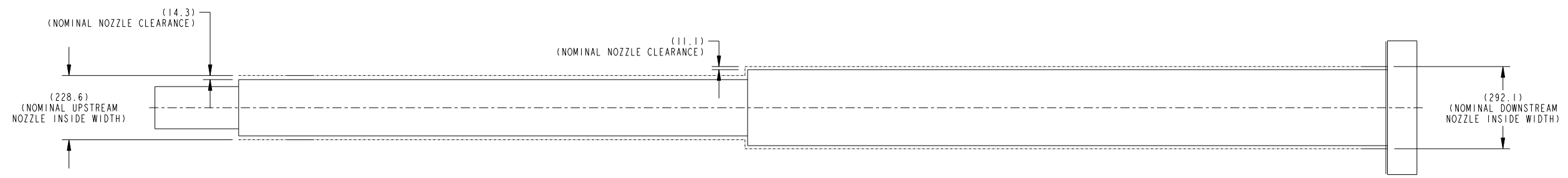
SIZE	SCALE	WEIGHT	SHEET
D	1:20	N/A	1 of 3

8 7 6 5 4 3 2 1

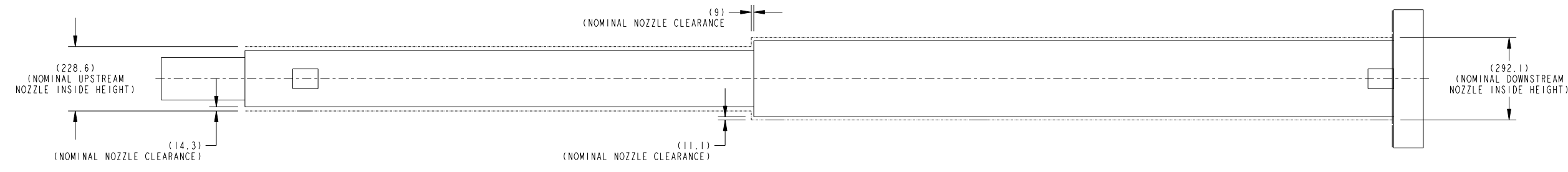
FLANGE INTERFACES



NOZZLE / INSERT CLEARANCES



TOP VIEW



SIDE VIEW

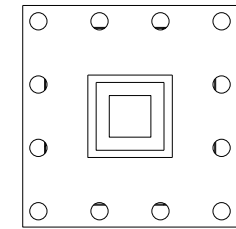
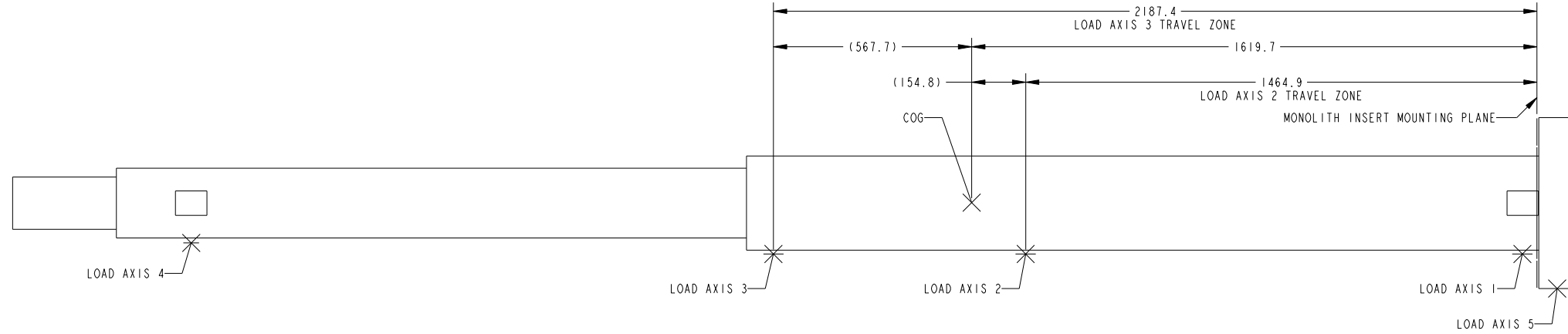
SIZE	SCALE	SHEET	DRAWING NUMBER	REV
D	1:8	2 OF 3	S04030200-M8U-8800-A10001	0

8 7 6 5 4 3 2 1

INSERTION LOADS (INSERT ONLY, 1450 KG)		
CONDITION	LOAD AXIS	LOAD (KG)
A	5	366
	3	1084
B	2	1140
	3	310

RESTING LOADS		
LOAD AXIS	LOAD (KG)	
	WITH PLUG (1815)	WITH OPTICS (1822)
1	1152	1068
4	662	754

ROLLER LOADS



SCALE 1:8

SIZE	SCALE	SHEET	DRAWING NUMBER	REV
D	1:8	3 OF 3	S04030200-M8U-8800-A10001	0