

8 7 6 5 4 3 2 1

NEXT USED ASSEMBLY

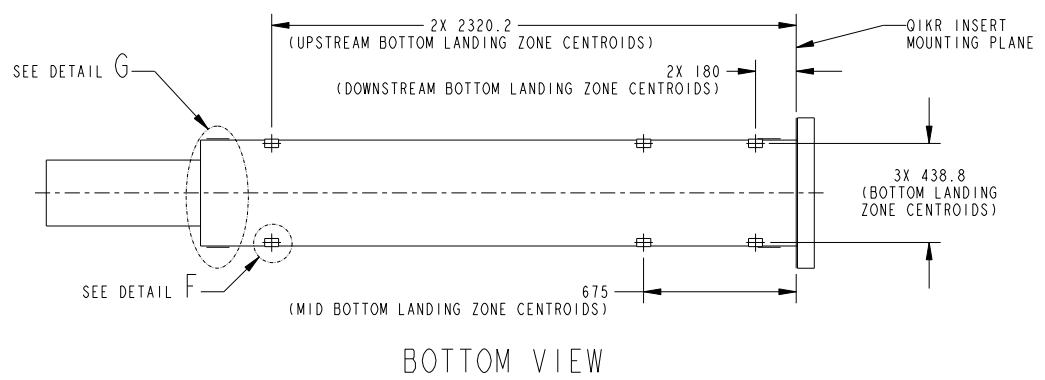
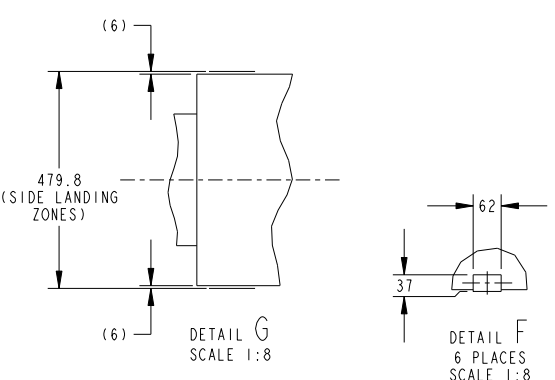
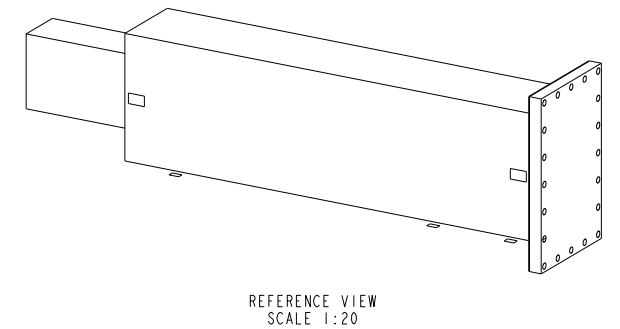
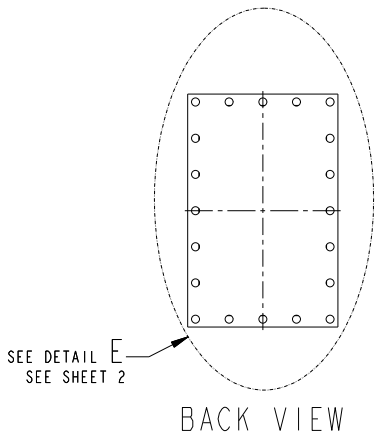
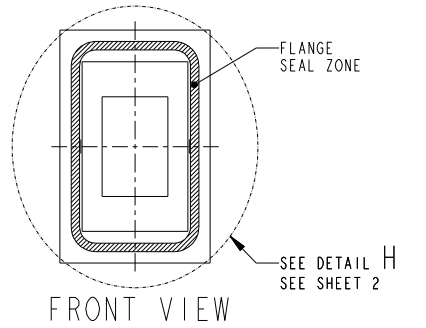
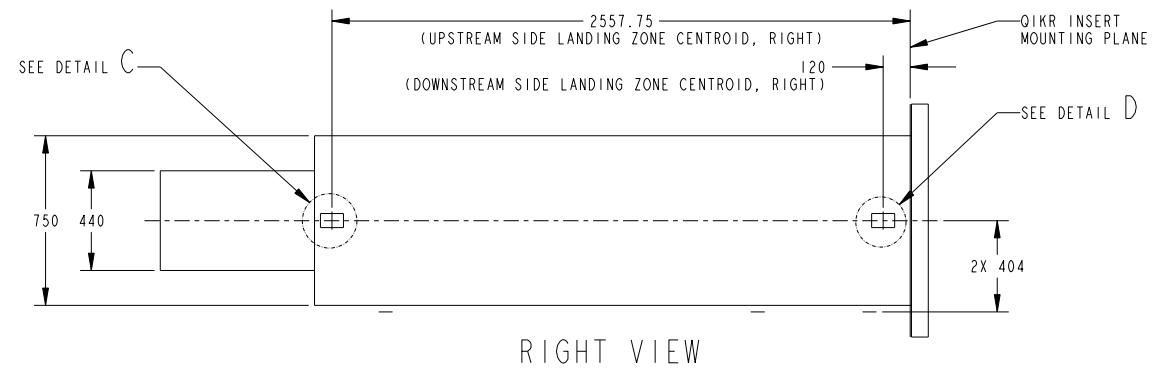
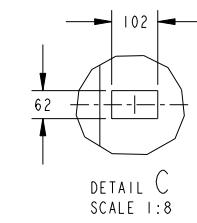
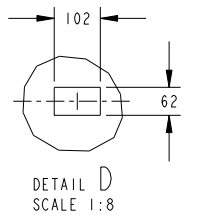
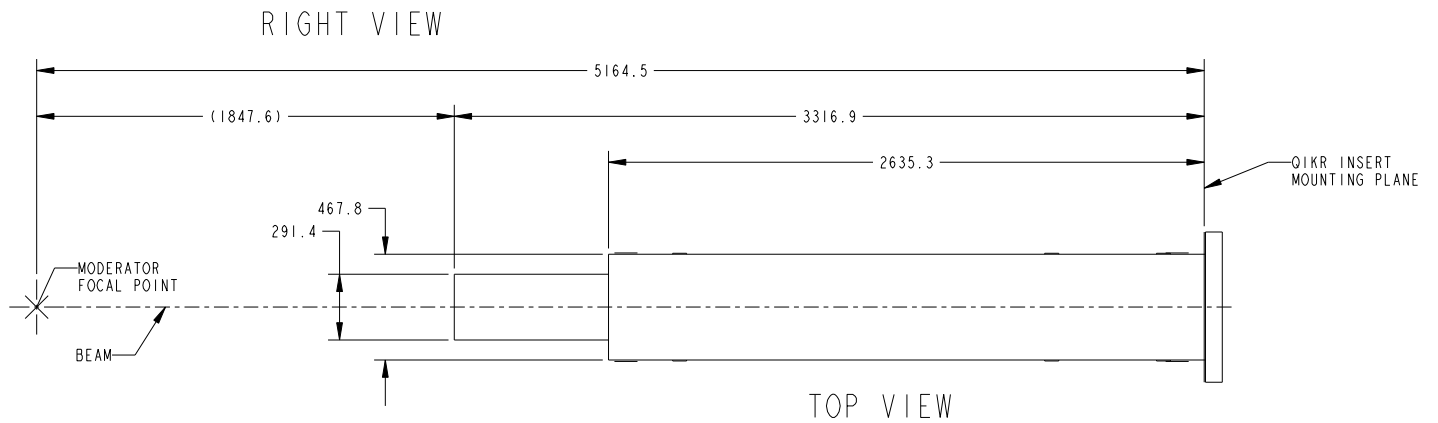
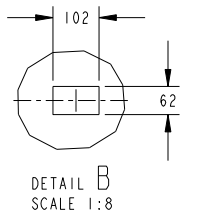
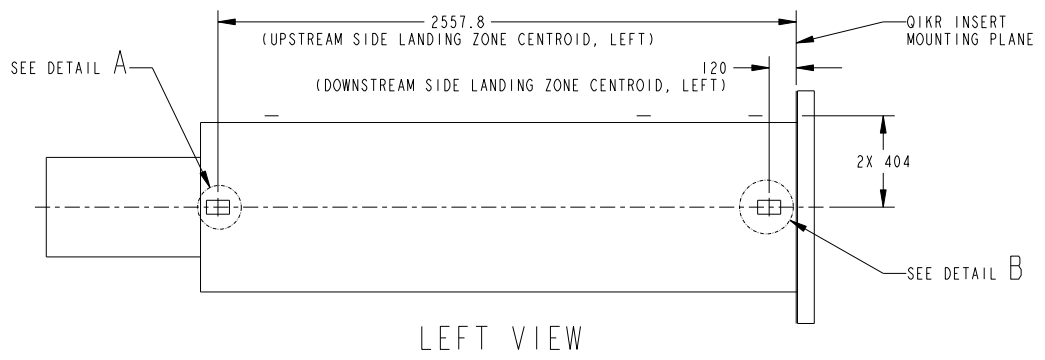
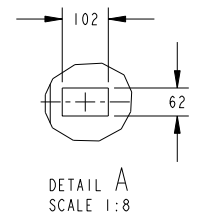
NO REPRESENTATION OR WARRANTY, EXPRESSED OR IMPLIED, IS MADE AS TO THE ACCURACY, COMPLETENESS OR USEFULNESS OF THE INFORMATION OR STATEMENTS CONTAINED IN THESE DRAWINGS. OR THAT THE DISCLOSURE OF ANY INFORMATION, APPARATUS, METHOD OR PROCESS DISCLOSED IN THESE DRAWINGS MAY NOT INFRINGE PRIVATE RIGHTS OF OTHERS. NO LIABILITY IS ASSUMED WITH RESPECT TO THE USE OF, OR FOR DAMAGES RESULTING FROM THE USE OF, ANY INFORMATION, APPARATUS, METHOD OR PROCESS DISCLOSED IN THESE DRAWINGS. DRAWINGS MADE AVAILABLE FOR INFORMATION TO BIDDER ARE NOT TO BE USED FOR OTHER PURPOSES AND ARE TO BE RETURNED UPON REQUEST OF THE FORWARDING CONTRACTOR.
THIS DRAWING IS THE PROPERTY OF OAK RIDGE NATIONAL LABORATORY.

APPROVAL BLOCK

REV	DESCRIPTION OF CHANGE	DES	CHK	ENG	API	AP2	AP3	DATE
0	ORIGINAL ISSUE							

NOTES:

- REFERENCE INTERFACE SHEET S01020500-1S0025



UNITS: MILLIMETERS

DEFAULT TOLERANCES

- 0-6 ±0.1
- 6-120 ±0.2
- 120 ±0.5
- ANGULAR ±0.5°

BREAK ALL SHARP EDGES EXCEPT AS NOTED: 15 MAX

SURFACE ROUGHNESS: 3.2 Ra U.N.O.

DRAFTING STD: ASME Y14.100
GDT: ASME Y14.5
WELD SYMBOLS: AWS A2.4

THIRD ANGLE PROJECTION

OAK RIDGE | HIGH FLUX ISOTOPE REACTOR | SPALLATION NEUTRON SOURCE
National Laboratory

STS BUNKER SYSTEMS
QIKR MONOLITH INSERT
QIKR MONOLITH INSERT INTERFACE

DRAWING NUMBER: **S04030200-M8U-8800-A10141**

SIZE	SCALE	WEIGHT	SHEET
D	1:16	N/A	1 of 4

8 7 6 5 4 3 2 1

8 7 6 5 4 3 2 1

D

D

C

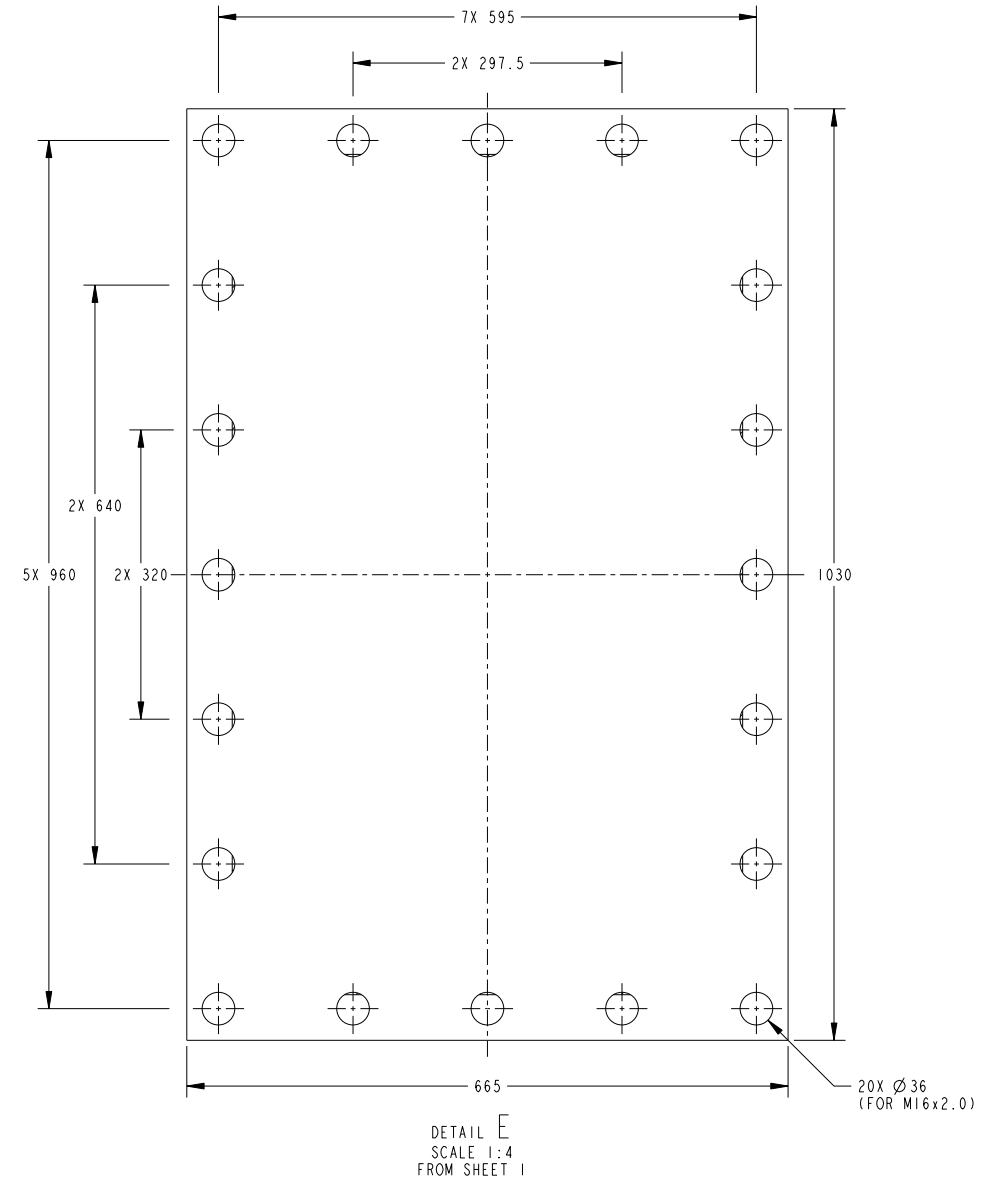
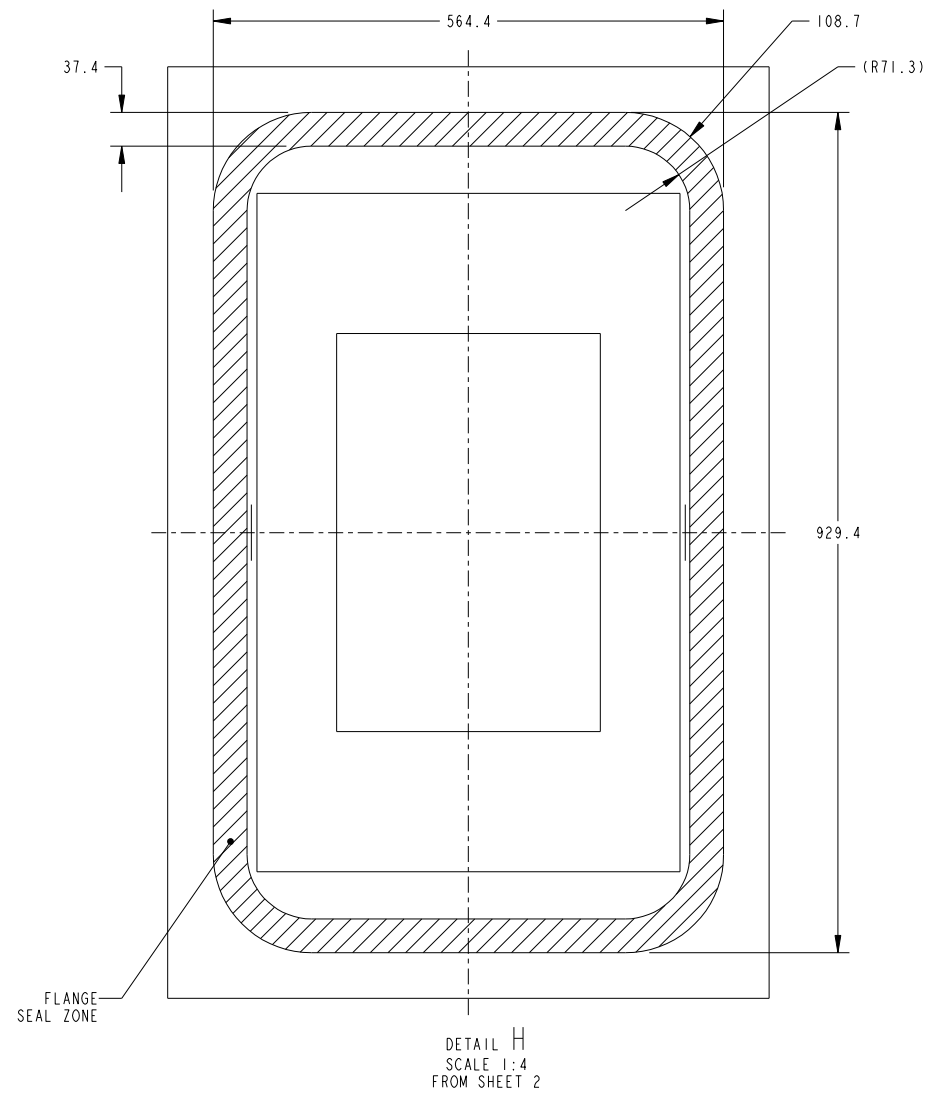
C

B

B

A

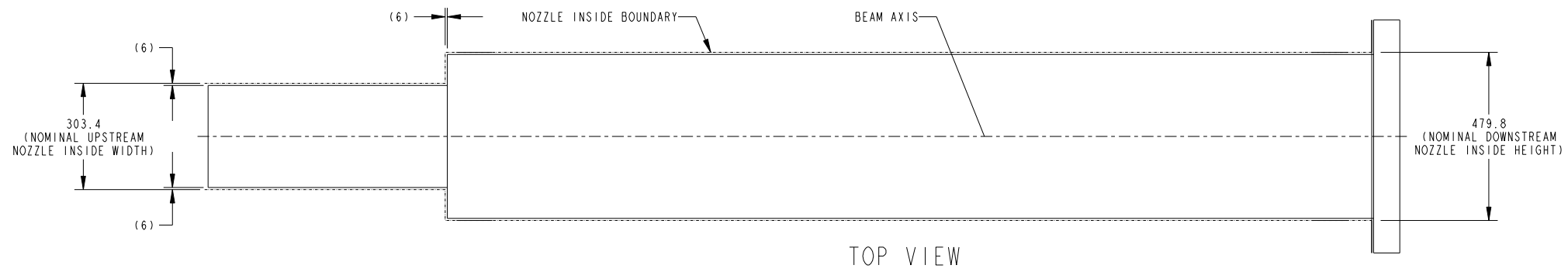
A



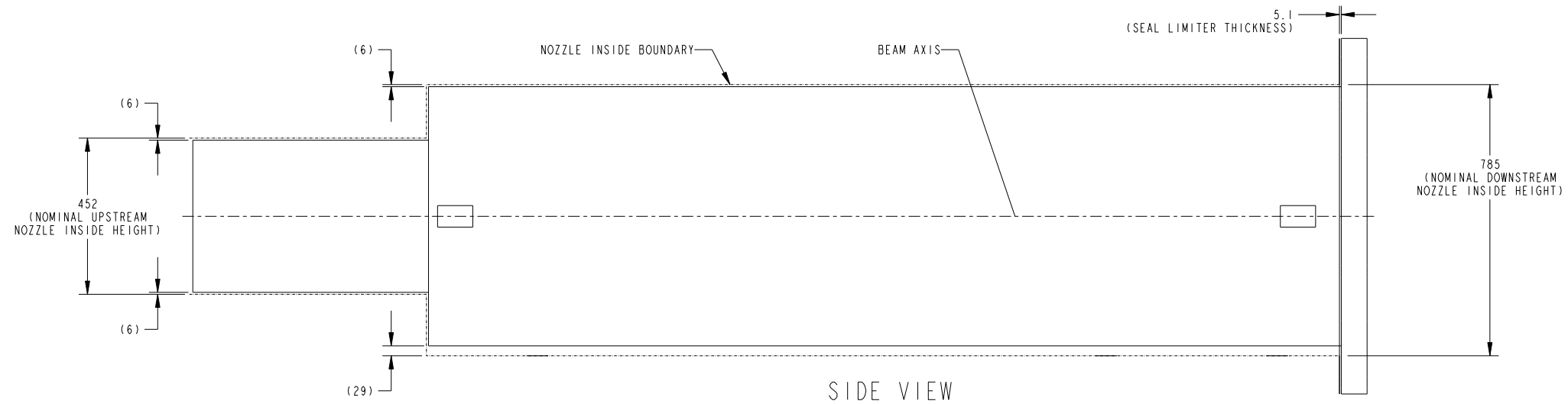
SIZE	SCALE	SHEET	DRAWING NUMBER	REV
D	1:8	2 OF 4	S04030200-M8U-8800-A10141	-

8 7 6 5 4 3 2 1

NOZZLE INNER BOUNDARIES



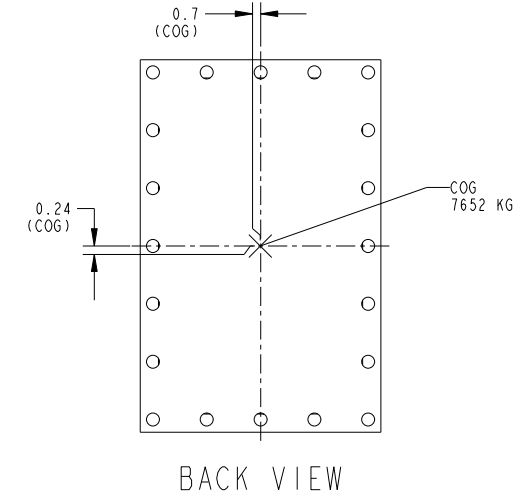
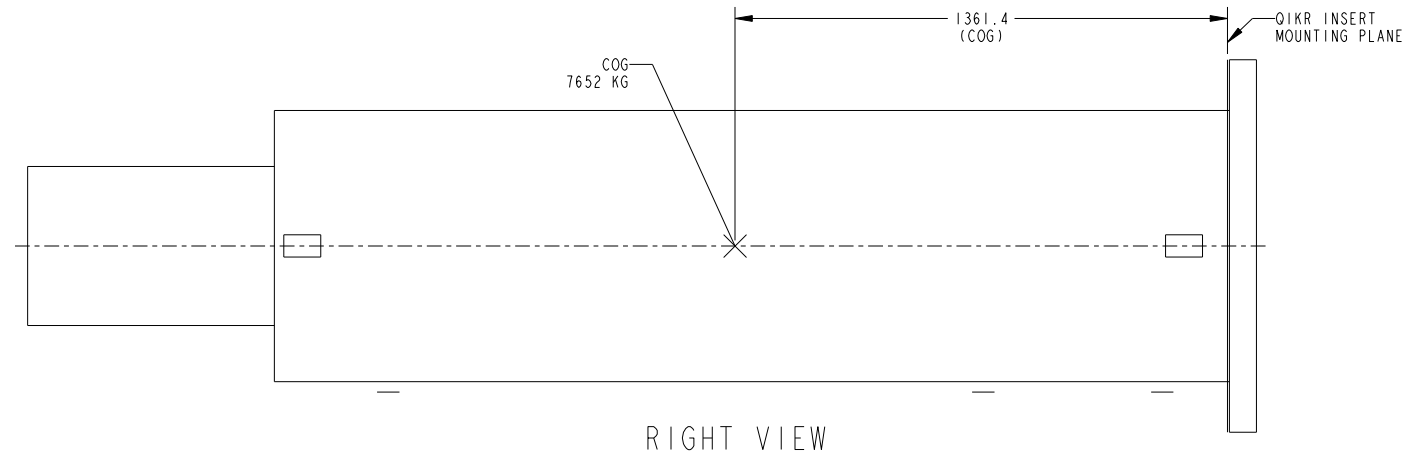
TOP VIEW



SIDE VIEW

SIZE	SCALE	SHEET	DRAWING NUMBER	REV
D	1:8	3 OF 4	S04030200-M8U-8800-A10141	-

LOADS DURING OPERATION
(INSERT + OPTICS)



SIZE	SCALE	SHEET	DRAWING NUMBER	REV
D	1:10	4 OF 4	S04030200-M8U-8800-A10141	-